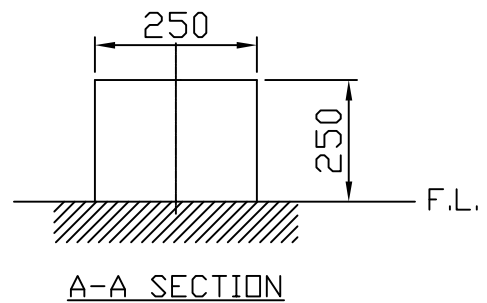


Water Inlet / Outlet



REMARKS:-

- 1.THIS FOUNDATION DRAWING IS PROVIDED FOR END USER'S REFERENCE.
- 2.COOLING TOWER DOES NOT INCLUDE FOUNDATION AND ANCHOR BOLTS.
- 3.THE TOLERANCE LEVEL FOR FOUNDATION IS $\pm 2\text{mm}$.
- 4.THE HEIGHT OF FOUNDATION EXCLUDES THERMAL ISOLATOR AND WATER PROOF.

NOTE: This drawing is used for ART Series Cooling Tower

DATE	12.02.20	DWG NO.	ART-15-FD	REV NO	ART-15-FD-00
MODEL	ART-15			DRAWN BY	ZHAO RH
DWG TITLE	COOLING TOWER FOUNDATION DRAWING			CHECKED BY	LINDA LIU
				APPROVED BY	SOONG CC



AMCON (HK) SALES & SERVICE PTE LTD
(2382511)