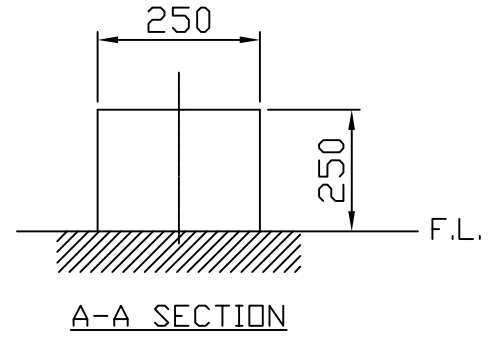


Water Inlet / Outlet



REMARKS:-

1. THIS FOUNDATION DRAWING IS PROVIDED FOR END USER'S REFERENCE.
2. COOLING TOWER DOES NOT INCLUDE FOUNDATION AND ANCHOR BOLTS.
3. THE TOLERANCE LEVEL FOR FOUNDATION IS ± 2 mm.
4. THE HEIGHT OF FOUNDATION EXCLUDES THERMAL ISOLATOR AND WATER PROOF.

NOTE: This drawing is used for ART Series Cooling Tower

DATE	12.02.20	DWG NO.	ART-10-FD	REV NO	ART-10-FD-00
MODEL	ART-10			DRAWN BY	ZHAO RH
DWG TITLE	COOLING TOWER FOUNDATION DRAWING			CHECKED BY	LINDA LIU
				APPROVED BY	SOONG CC



AMCON (HK) SALES & SERVICE PTE LTD
(2382511)