

# FSF50P-1 Water Flow Switch



FSF series flow switches are used in measuring and controlling the flow of the liquid in the pipe, such as water, alcohol, etc., as well as in the places where it needs chain effect or cutout protection.

FSF series flow switches have SPDT switch, full-sealing structure as its shell, and stainless steel as its inside components, which can assure its use in any conditions.

FSF-A series flow switches are used for caustic fluid liquid, the materials of FSF-A in contact with th medium is stainless steel.

Approval: DnV, Det norske Veritas (Norway), CQC (China), CE (Europe).

## TECHNICAL DATA

Ambient temperature : -20 ~ 50°C

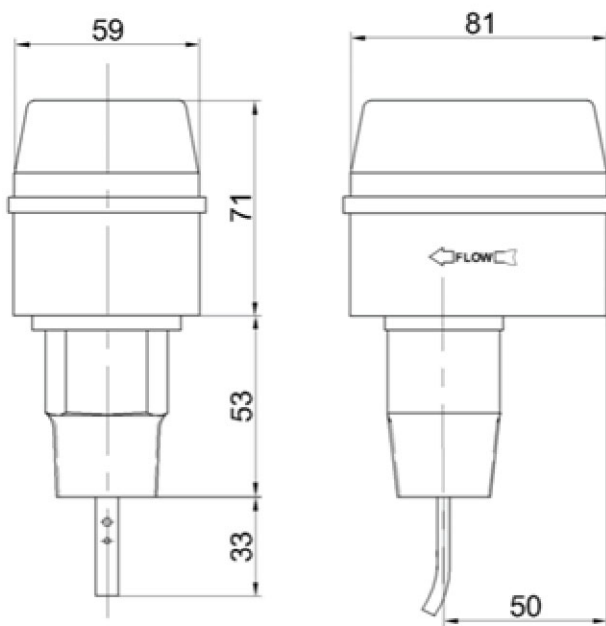
Liquid temperature : -25 ~ 120°C

Max. liquid pressure : 1.5MPa

## ELECTRICAL DATA

Voltage (V)		Current (A)	
		A.C. 110	A.C. 220
Non-inductive current		10	8
Inductive Current	Full Load	10	8
	Starting	60	48

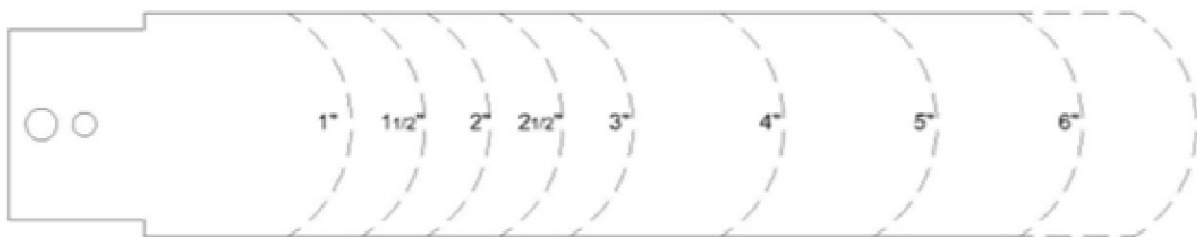
## DIMENSION (Unit: mm)



## TYPE & DATA

Model	Connection	Medium	Materials in contact with the medium	Crust
FSF50P-1	1"-11/2NPT	Water	Brass	Seal plastic case

## DIMENSION OF THE PADDLE (Unit: mm)



## FLOW RATES

### Required to actuate switch (m³/h)

Line pipe size (in.)		1	1-1/4	1-1/2	2	2-1/2	3	4	5	6	8
Min. flow	Flow increase R to B closes	1.0	1.3	1.7	3.1	4.1	6.2	8.4	12.9	16.8	46.6
	Flow decrease R to Y closes	0.6	0.8	1.1	2.2	2.8	4.3	6.1	9.3	12.3	38.6
Max. flow	Flow increase R to B closes	2.0	3.0	4.4	6.6	7.8	12.0	18.4	26.8	32.7	94.2
	Flow decrease R to Y closes	1.9	2.8	4.1	6.1	7.3	11.4	17.3	25.2	30.7	90.8

