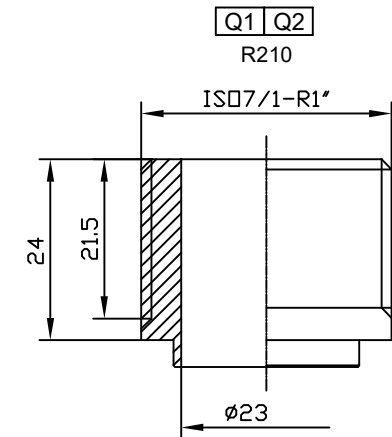
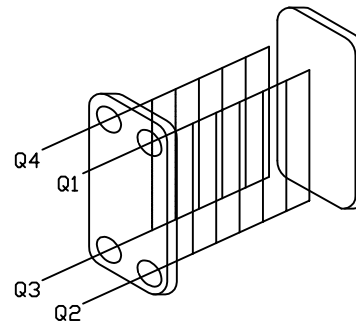
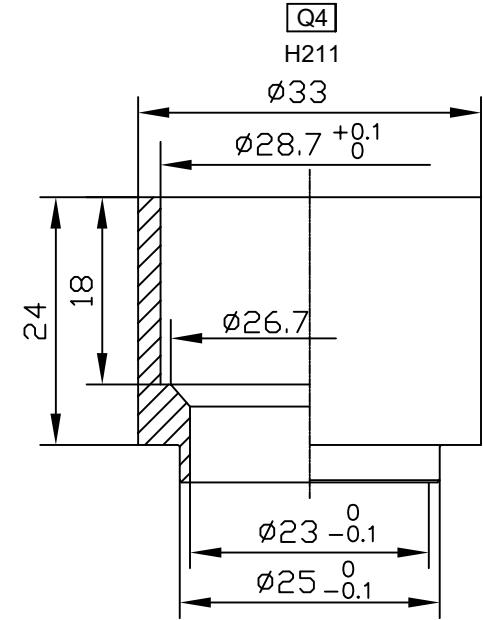
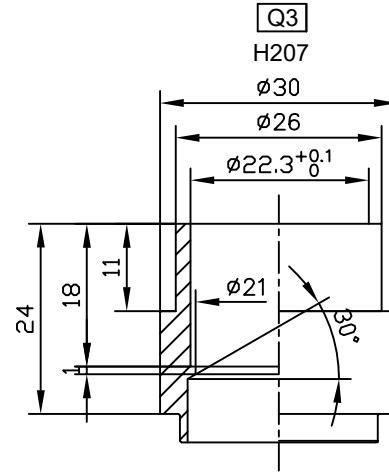
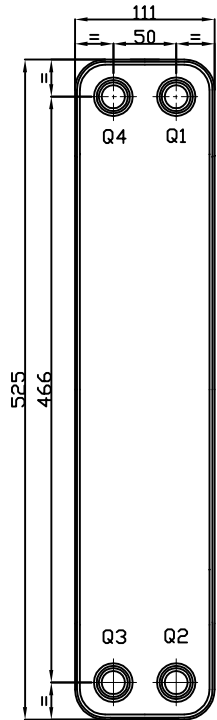
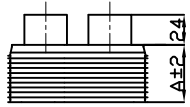


# AM52B-38D



Chiller Manufacturer • HVAC & R Expert • Process Cooling Specialist



Number of Plates	38D	
Plate Thk (A)	100	
Design Pressure (MPA)	3.0	
Testing Pressure (MPA)	4.5	
Working Temp (°C)	-160~+200	
Q1	R1"	
Q2	R1"	
Q3	22.3	
Q4	28.7	
H1		
H2		
H3		
H4		

MODEL : AM52B-38D-3.0-316L (H207-Q3, H211-Q4,R210-Q1-Q2)