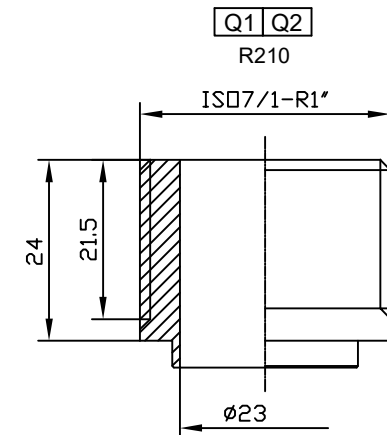
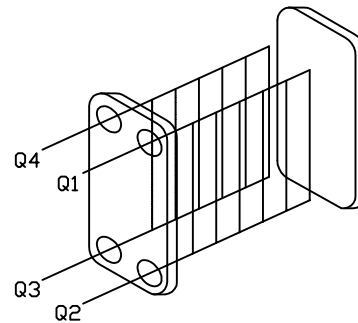
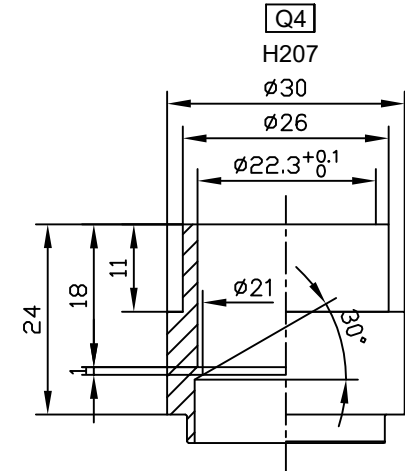
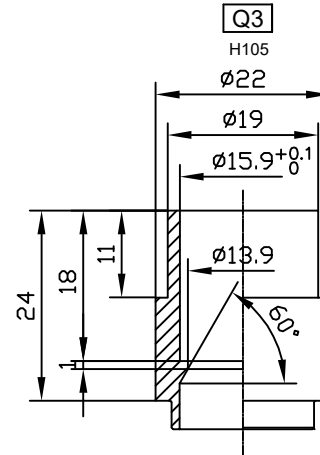
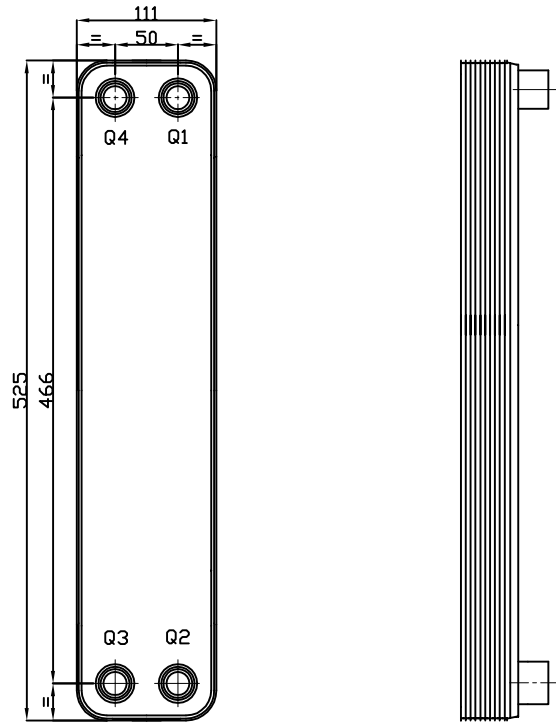
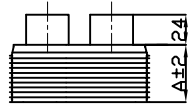


AM52B-26D



Chiller Manufacturer • HVAC & R Expert • Process Cooling Specialist



Number of Plates	26D	
Plate Thk (A)	71	
Design Pressure (MPA)	3.0	
Testing Pressure (MPA)	4.5	
Working Temp (°C)	-160~+200	
Q1	R1"	
Q2	R1"	
Q3	15.9	
Q4	22.3	
H1		
H2		
H3		
H4		

MODEL : AM52B-26D-3.0 (H105-Q3, H207-Q4,R210-Q1-Q2)