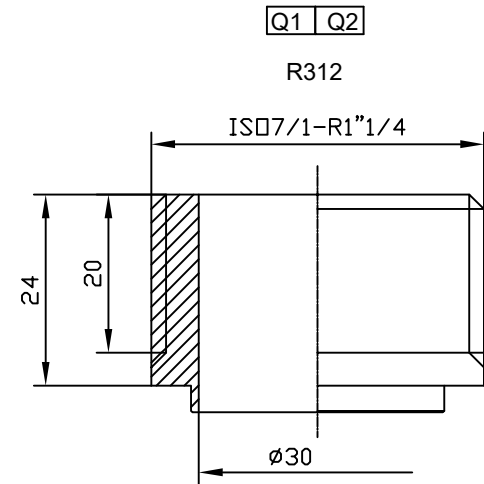
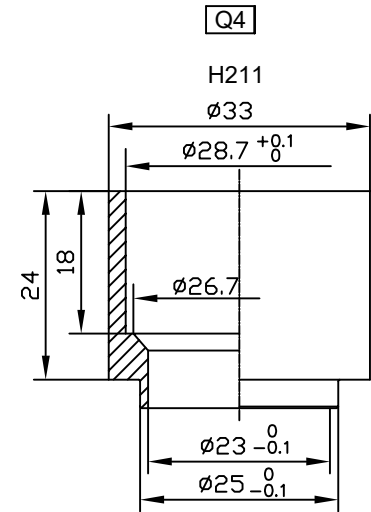
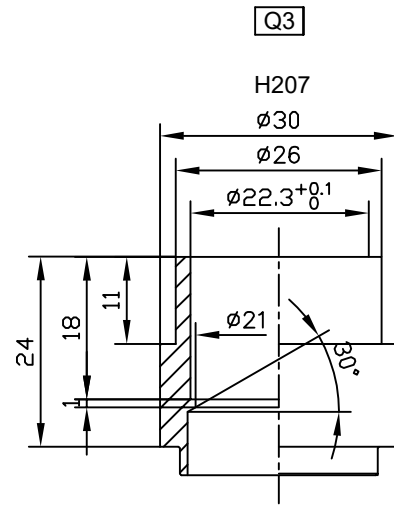
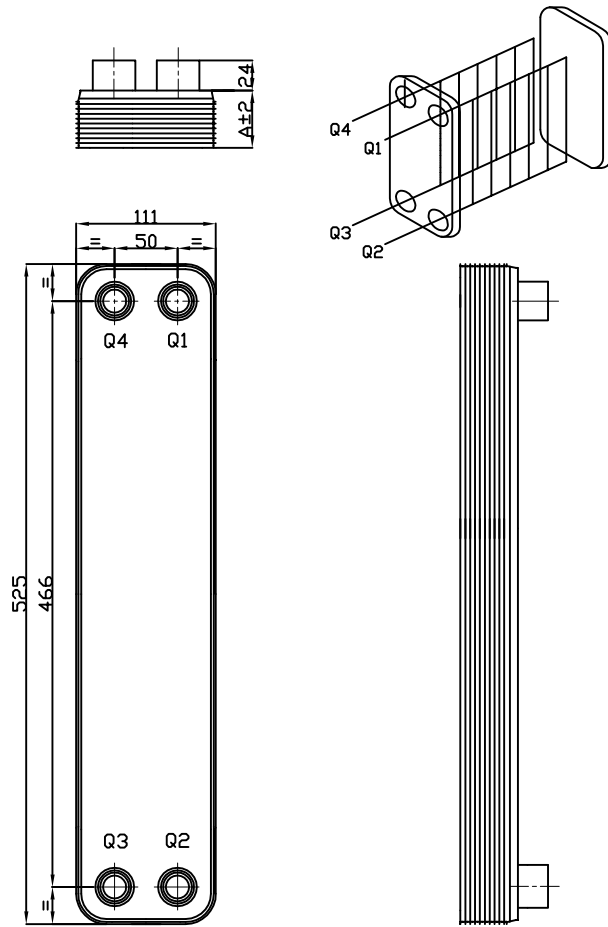


AM52A-60D



Chiller Manufacturer • HVAC & R Expert • Process Cooling Specialist



Number of Plates	60D	
Plate Thk (A)	153	
Design Pressure (MPa)	3.0	
Testing Pressure (MPa)	4.5	
Working Temp (°C)	-160~+200	
Q1	R1"1/4	
Q2	R1"1/4	
Q3	22.3	
Q4	28.7	
H1		
H2		
H3		
H4		

Model : AM52A-60D-3.0 (H207-Q3,H211-Q4,R312-Q1-Q2)